

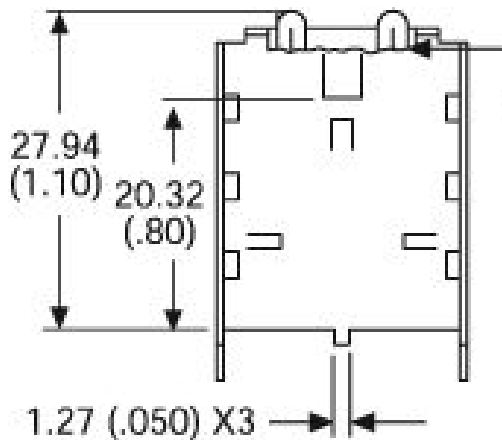
## PRODUCT DATA SHEET

**PART No.: SS07**

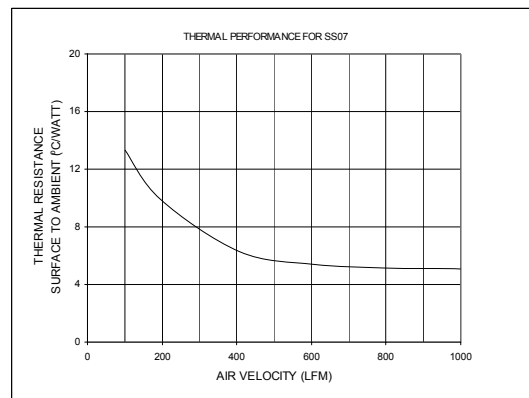
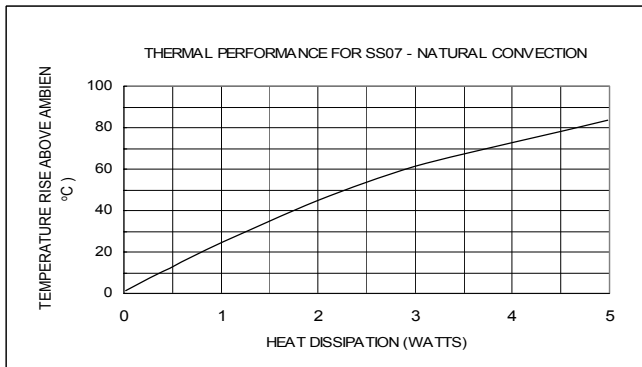
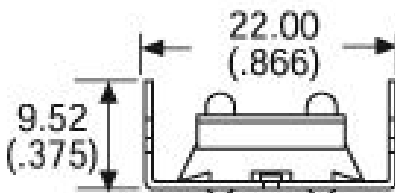
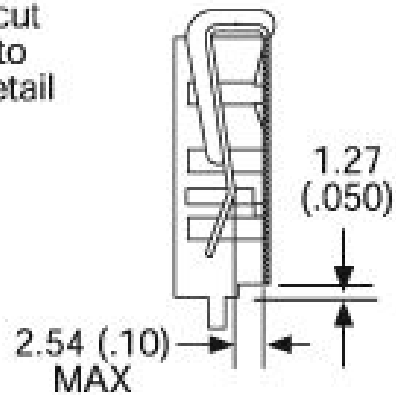
**L: 22MM (.87") W: 9.5MM (.375") H: 27.9MM (1.10")**

**BASE MATERIAL: COPPER FINISH: SOLDERABLE**

**RECOMMENDED APPLICATIONS: TO-220 PACKAGES**



Top is cut away to show detail



TechSource International Inc. - Your Source for Thermally Engineered Components and Hardware

[www.techsourceintl.com](http://www.techsourceintl.com)