

PRODUCT DATA SHEET

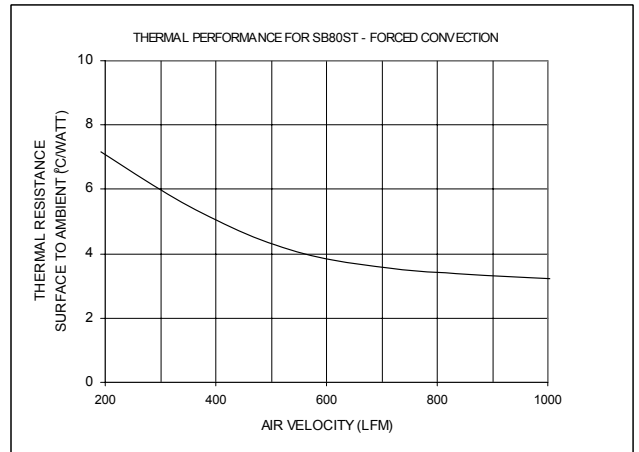
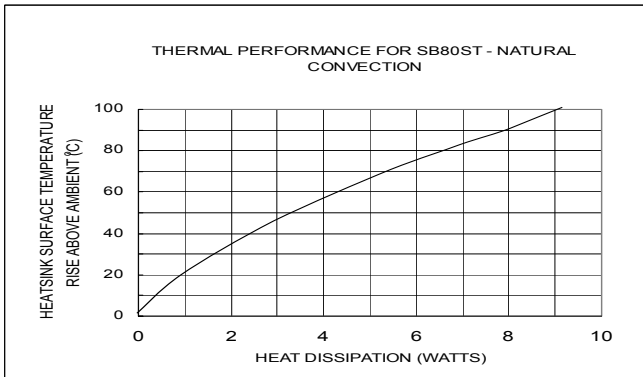
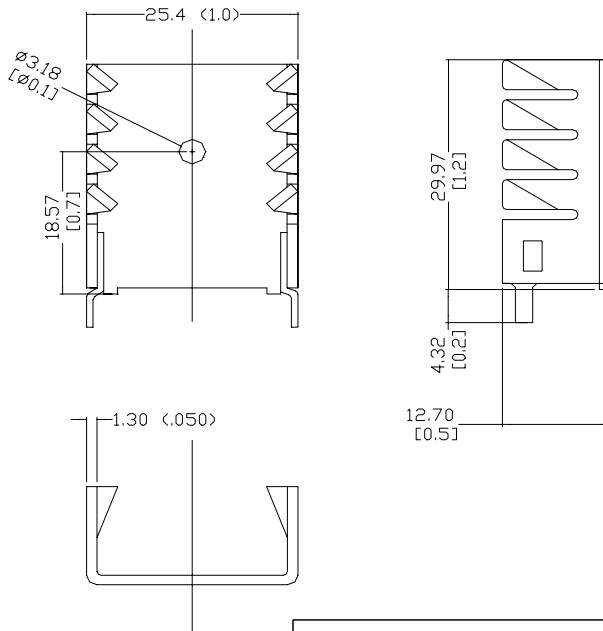
PART No.: SB80ST

L: 12.7MM (.50") W: 25.4MM (1.0") H: 29.97MM (1.18")

FINISH: BLACK ANODIZE

RECOMMENDED APPLICATIONS: TO-220 PACKAGES

MOUNTING TAB: VERTICAL



TechSource International Inc. - Your Source for Thermally Engineered Components & Hardware

www.techsourceintl.com